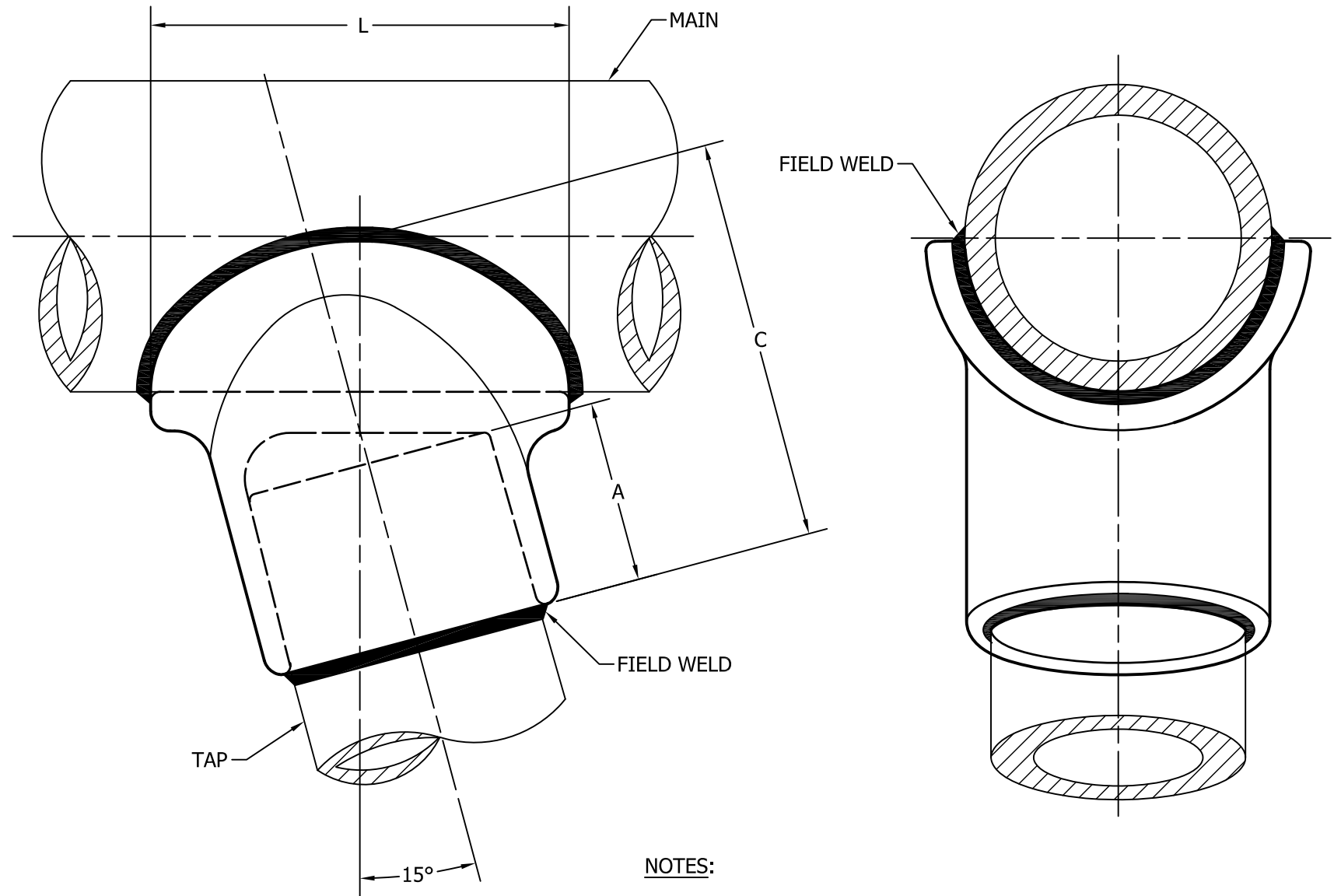


CATALOG NUMBER	CONDUCTOR SIZE IPS		DIMENSIONS IN INCHES		
	MAIN	TAP	A	C	L
WTT-15-1010	1	1	1 1/4	2 9/16	3 1/4
WTT-15-1210	1 1/4	1	1	2 1/2	3
WTT-15-1212	1 1/4	1 1/4	1	2 9/16	3 1/4
WTT-15-1410	1 1/2	1	1	2 9/16	3
WTT-15-1412	1 1/2	1 1/4	1	2 9/16	3 1/2
WTT-15-1414	1 1/2	1 1/2	1 1/2	3 1/8	3 1/2
WTT-15-2010	2	1	1 1/4	3 1/8	3 1/4
WTT-15-2012	2	1 1/4	1 1/2	3 3/8	3 1/4
WTT-15-2014	2	1 1/2	1 1/2	3 7/16	3 1/2
WTT-15-2020	2	2	1 1/4	3 1/4	4
WTT-15-2410	2 1/2	1	1 5/16	3 3/8	3 1/4
WTT-15-2412	2 1/2	1 1/4	1	3 1/8	3 1/4
WTT-15-2414	2 1/2	1 1/2	1	3 3/16	3 1/2
WTT-15-2420	2 1/2	2	1 3/4	4	4
WTT-15-2424	2 1/2	2 1/2	2	4 5/16	4 5/8
WTT-15-3010	3	1	1 1/4	3 13/16	3 1/4
WTT-15-3012	3	1 1/4	1 1/2	4 1/16	3 1/2
WTT-15-3014	3	1 1/2	1 1/2	4 9/16	3 1/2
WTT-15-3020	3	2	1 1/4	3 7/8	4
WTT-15-3024	3	2 1/2	2	4 11/16	4 3/8
WTT-15-3030	3	3	1 3/4	4 11/16	5 1/8



NOTES:

1. MATERIAL: 356-T6 ALUMINUM ALLOY.
2. THESE FITTINGS ARE SUITABLE FOR EHV USE ON CONDUCTORS THAT HAVE DEMONSTRATED CORONA FREE PERFORMANCE AT THE DESIRED VOLTAGE LEVELS.
3. WHEN USED AT 765 KV, ADD 765 TO CATALOG NUMBER (EXAMPLE: WTT-15-6040-765)

74987	07/16/2018	HG	HG
EC #	DATE	CHG BY	RESP ENG
DESC OF DWG: REDRAWN IN AUTOCAD			
REASON (S) FOR CHANGE: DISPOSITION OF MAT'L:			

HPS®

CONFIDENTIAL: THIS DRAWING AND ITS CONTENTS ARE CONFIDENTIAL AND THE EXCLUSIVE PROPERTY OF HUBBELL POWER SYSTEMS. NO PUBLICATION, DISTRIBUTION OR COPIES MAY BE MADE WITHOUT THE WRITTEN CONSENT OF HUBBELL POWER SYSTEMS. HUBBELL POWER SYSTEMS UNPUBLISHED ALL RIGHTS RESERVED UNDER THE COPYRIGHT LAWS

HUBBELL® POWER SYSTEMS
POWER SYSTEMS, INC.

TITLE: **WELDED ALUMINUM TEE CONNECTOR (15 DEG TAP)**

SIZE B	DWG NO. C-1206	CAT / PART / ASSY NO. WTT-15	REV 31
DO NOT SCALE THIS DRAWING		DRN BY WDS	DATE 08/20/57 SHEET 1 OF 2

4

3

2

1

CATALOG NUMBER	CONDUCTOR SIZE IPS		DIMENSIONS IN INCHES		
	MAIN	TAP	A	C	L
WTT-15-3412	3 1/2	1 1/4	1 3/8	4 1/8	4
WTT-15-3414	3 1/2	1 1/2	1 1/2	4 3/8	3 1/2
WTT-15-3420	3 1/2	2	1 1/4	4 1/8	4
WTT-15-3424	3 1/2	2 1/2	1 1/2	4 1/2	4 3/8
WTT-15-3430	3 1/2	3	1 3/4	4 13/16	6
WTT-15-3434	3 1/2	3 1/2	2	5 1/8	6
WTT-15-4012	4	1 1/4	1 1/2	4 9/16	3 1/2
WTT-15-4014	4	1 1/2	1 1/2	4 5/8	3 1/2
WTT-15-4020	4	2	1 1/4	4 3/8	4
WTT-15-4024	4	2 1/2	1 1/2	4 3/4	4 3/8
WTT-15-4030	4	3	1 3/4	5	5 1/8
WTT-15-4034	4	3 1/2	2	5 3/8	5 5/8
WTT-15-4040	4	4	2	5 7/16	6 1/8
WTT-15-4430	4 1/2	3	5 1/4	5 11/16	1 3/4
WTT-15-5012	5	1 1/4	1 1/2	3 11/16	1 1/2
WTT-15-5014	5	1 1/2	1 1/2	5 3/16	4
WTT-15-5020	5	2	2	5 3/4	4
WTT-15-5024	5	2 1/2	1 1/2	5 3/8	4 3/8
WTT-15-5030	5	3	1 3/4	5 11/16	5 1/8
WTT-15-5034	5	3 1/2	2 1/2	6 7/16	5 5/8
WTT-15-5040	5	4	2 1/4	6 7/16	6 1/2
WTT-15-5050	5	5	2 3/4	6 11/16	7 5/8

CATALOG NUMBER	CONDUCTOR SIZE IPS		DIMENSIONS IN INCHES		
	MAIN	TAP	A	C	L
WTT-15-6014	6	1 1/2	1 1/2	5 3/4	5 1/8
WTT-15-6020	6	2	2	6 5/16	5 1/4
WTT-15-6024	6	2 1/2	1 1/2	5 7/8	4 3/4
WTT-15-6030	6	3	2 1/2	7	5 1/8
WTT-15-6034	6	3 1/2	1 1/4	5 3/4	5 3/4
WTT-15-6040	6	4	2	6 5/8	6 1/8
WTT-15-80D-30	8 O.D.	3	1 3/4	7	6
WTT-15-80D-60	8 O.D.	6	3 1/2	9 3/16	9

74987	07/16/2018	HG	HG
EC #	DATE	CHG BY	RESP ENG

DESC OF DWG:
REDRAWN IN AUTOCAD

REASON (S) FOR CHANGE:
DISPOSITION OF MAT'L:

HPS[®]

CONFIDENTIAL: THIS DRAWING AND ITS CONTENTS ARE CONFIDENTIAL AND THE EXCLUSIVE PROPERTY OF HUBBELL POWER SYSTEMS. NO PUBLICATION, DISTRIBUTION OR COPIES MAY BE MADE WITHOUT THE WRITTEN CONSENT OF HUBBELL POWER SYSTEMS. HUBBELL POWER SYSTEMS UNPUBLISHED ALL RIGHTS RESERVED UNDER THE COPYRIGHT LAWS



HUBBELL[®] POWER SYSTEMS

TITLE **WELDED ALUMINUM TEE CONNECTOR
(15 DEG TAP)**

SIZE B	DWG NO. C-1206	CAT / PART / ASSY NO. WTT-15	REV 31
DO NOT SCALE THIS DRAWING		DRN BY WDS	DATE 08/20/57 SHEET 2 OF 2

4

3

2

1